



PRODUCT NEWS

Product under development

Single 3W type

■Product outline

This is an LED module which uses high output 3W-type LED. It provides adequate light even with a single lamp, enabling it to be used for a variety of lighting applications.

■Feature

- High color rendering: Ra96
- High luminous flux 90lm/3W at 5000K
70lm/3W at 3300K
- Wide variations: Color Temp.: 5000K and 3300K,
Lens: 25° or 45° in each color
- No soldering required, constant voltage and constant current circuit can be designed due to connected with socket board harness.
(semi-custom made)



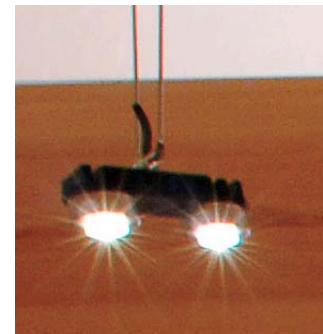
■Applications

- Spotlight
- Reading light, Picture light, Pendant light

【Product lineup】

Part number	LED color	Angle	Watts	CRI	Lumen	Dimensions
SIN3121N	White 5000K	25°	3W (21V-150mA)	Ra:96	90lm	Φ 34.8 × H20
SIN3141N		45°				
SIW3121N	Warm White 3300K	25°				
SIW3141N		45°				

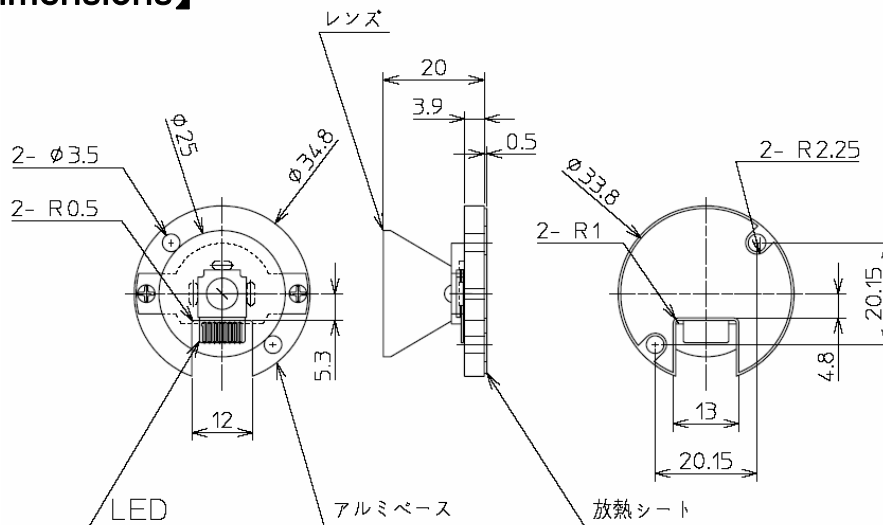
【Applied products】



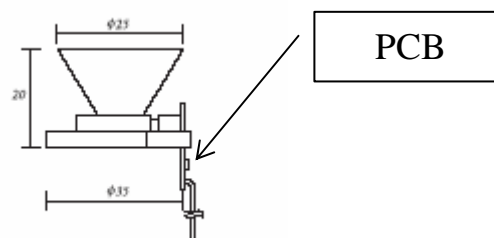
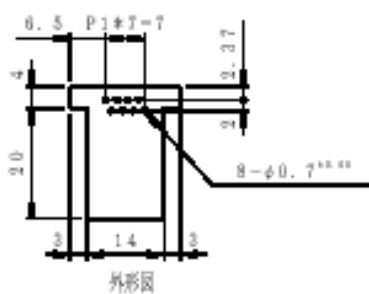
【Absolute maximum ratings】

Items	Absolute maximum ratings
Forward current	150mA
Reverse voltage	30V
Operating Temp.	-30°C~+80°C
Storage Temp.	-40°C~+85°C

【Outer dimensions】



Attached Standard PCB dimensions



Mounting PCB by dedicated socket

Dedicated socket with harness PC-board

Constant voltage or constant current drive is possible as semi- custom design

**Note: This product is not including heat-dissipation fins.
You must use suitable heat-dissipation fins for this product.**